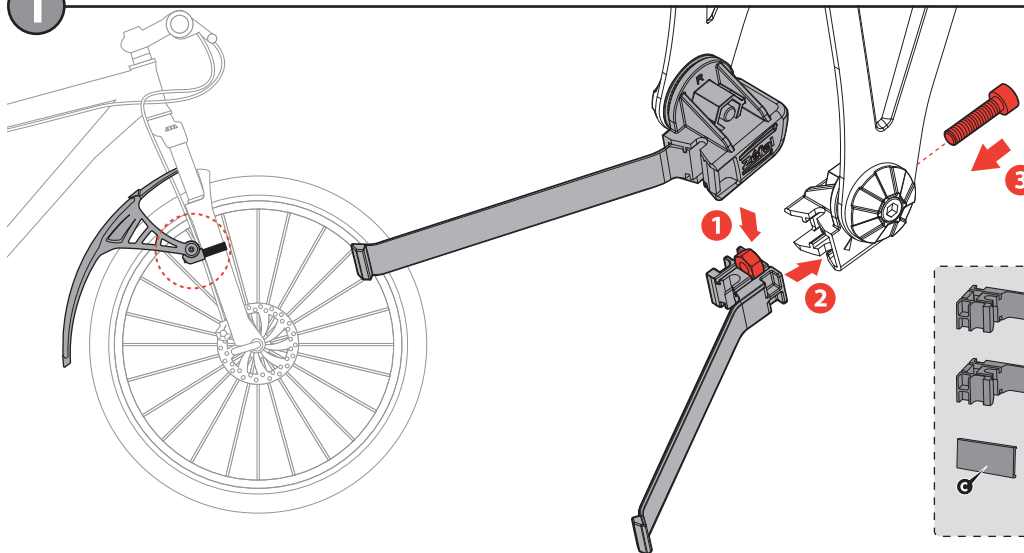


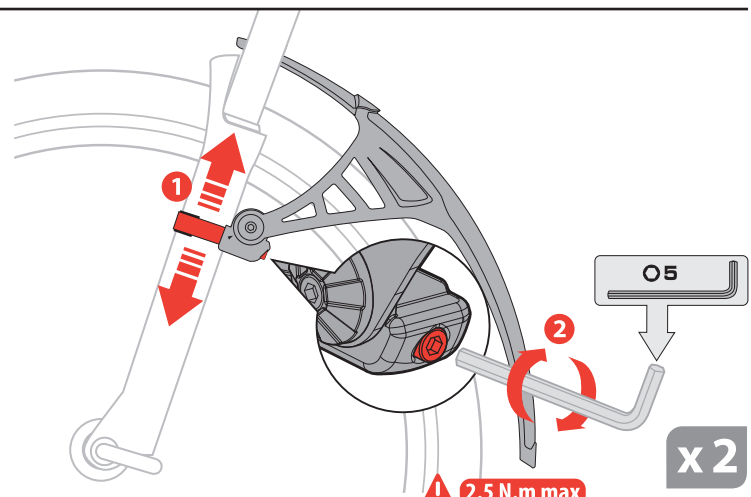
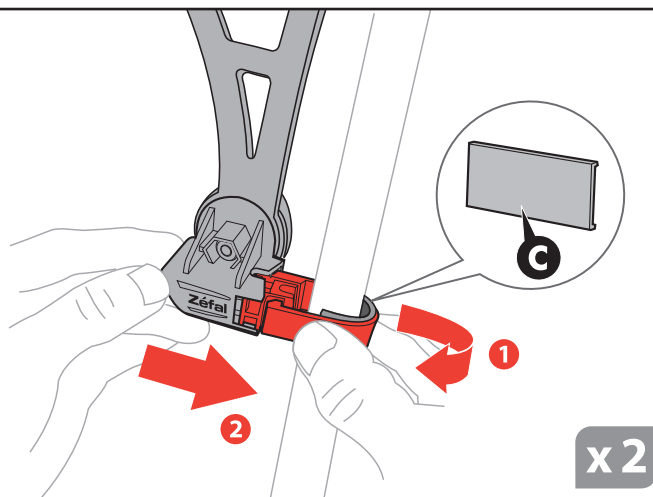
1



MD FIX

A + C	Ø 17 → 24 mm (11/16" → 15/16")
A	Ø 24 → 26 mm (15/16" → 1 1/32")
B + D	Ø 32 → 35 mm (1 1/4" → 1 3/8")
B + C	Ø 35 → 37 mm (1 3/8" → 1 7/16")
B	Ø 37 → 41 mm (1 7/16" → 1 5/8")

2



3

